

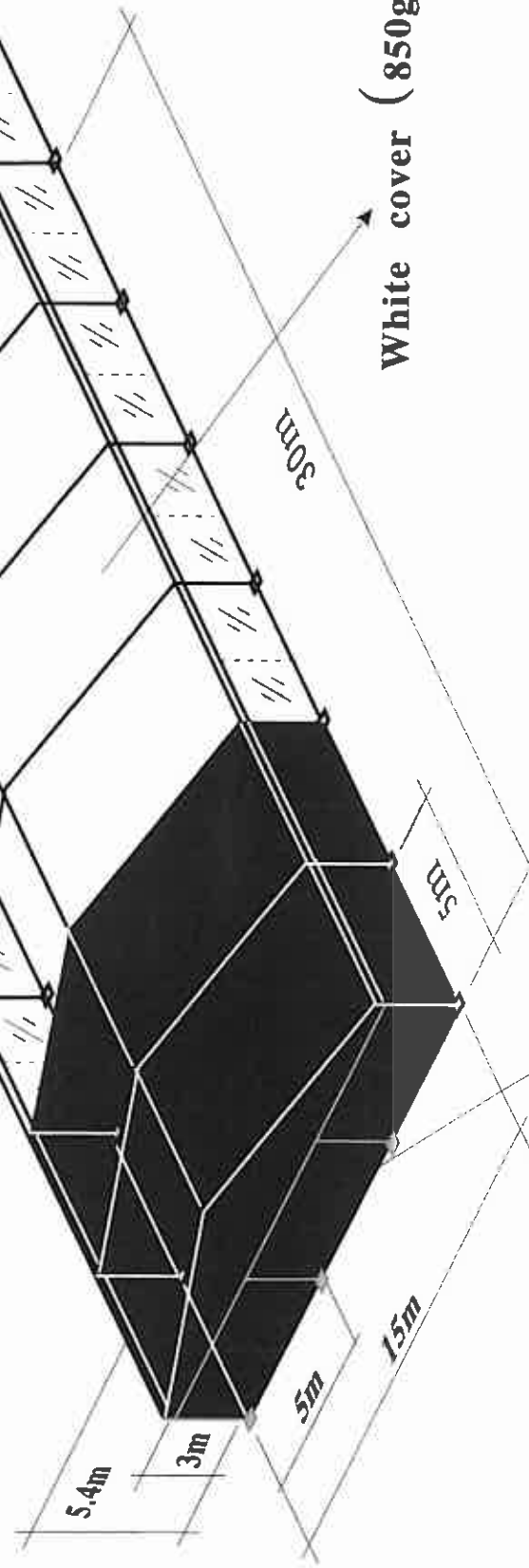
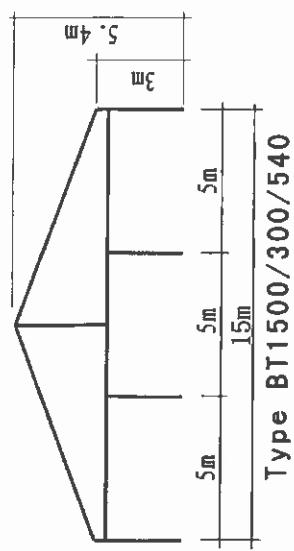
# 15M x 35m Big tent (Alu-PVC Structure)

Clear roof cover and sidewalls

Clear sidewalls

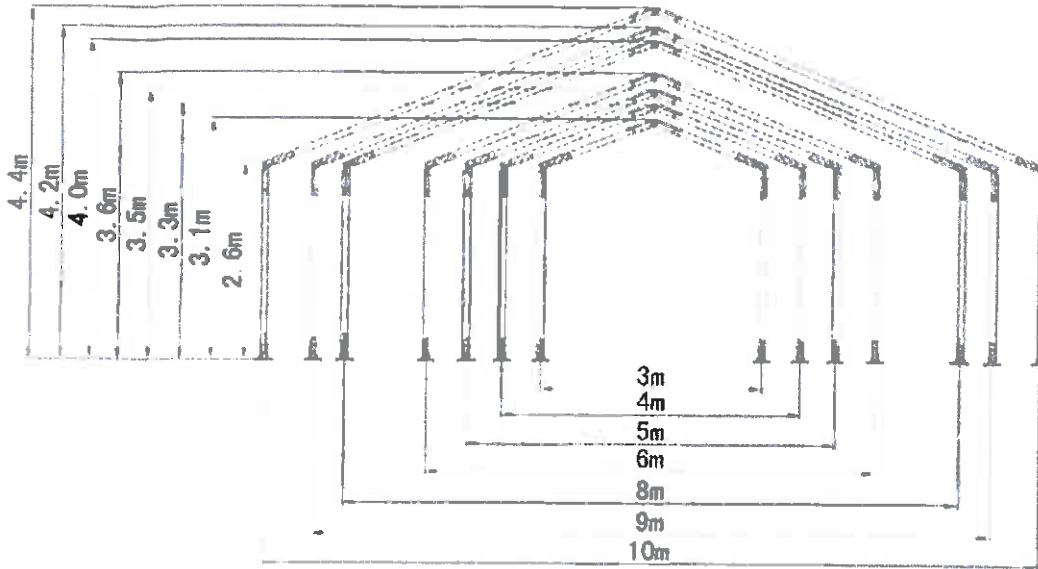
White cover (850g / sq. m)

Black roof cover and sidewalls



Framework main profile dimension and use	
	upright support Roof Beam Gable pole
	Ridge purlin Eave purlin Gable beam
	Intermediate purlin
	Eave tension rail

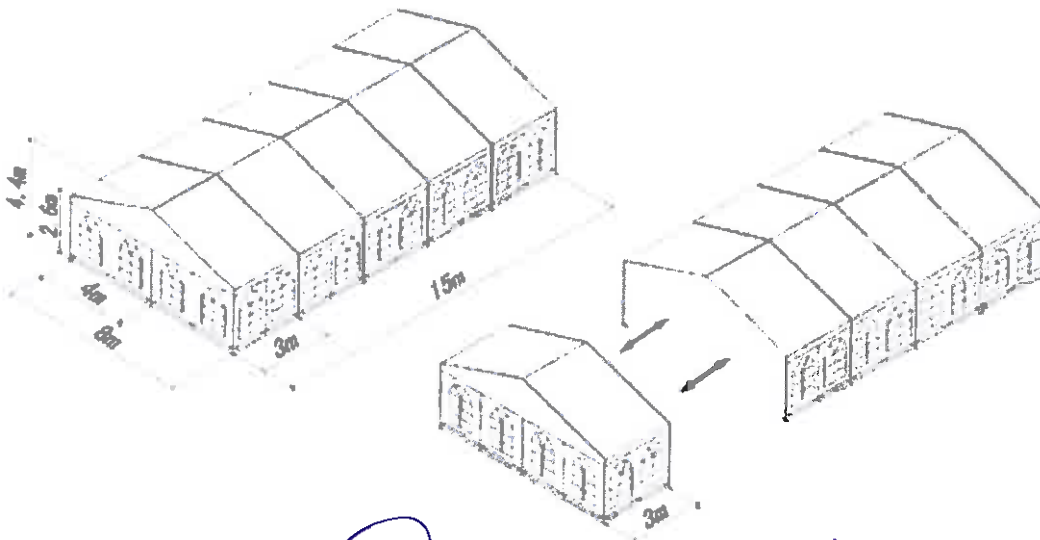
UNLESS OTHERWISE SPECIFIED: DIMENSIONS ARE IN MILLIMETERS		FINISH:		DEBUR AND BREAK SHARP EDGES		DO NOT SCALE DRAWING		REVISION	
SURFACE FINISH:		TOLERANCES:		LINEAR:		ANGULAR:		TITLE:	
NAME	SIGNATURE	DATE							
DRAWN									
CHE' D									
APPV'D									
MFG									
C.A									
				COMPANY: LINT TENT					
				Specification: BT15mx35m BIG tent (Alu-PVC Structure)					
				Type BT1500/300/540					
				SCALE: 1:1					
				Material: 6061/T6					



Specification Table

Type	Clear span	Bay width	Eave height	Ridge height
PT3/260	3M	3M	2.6M	3.1M
PT4/260	4M	3M	2.6M	3.3M
PT5/260	5M	3M	2.6M	3.5M
PT6/260	6M	3M	2.6M	3.6M
PT8/260	8M	3M	2.6M	4.0M
PT9/260	9M	3M	2.6M	4.2M
PT10/260	10M	3M	2.6M	4.4M

CAD or 3D View

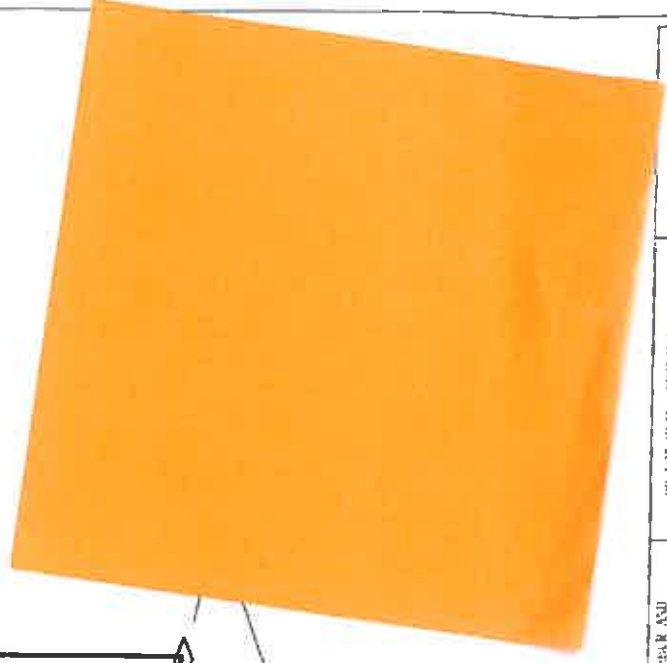
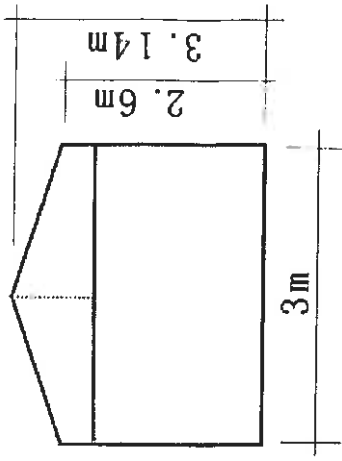
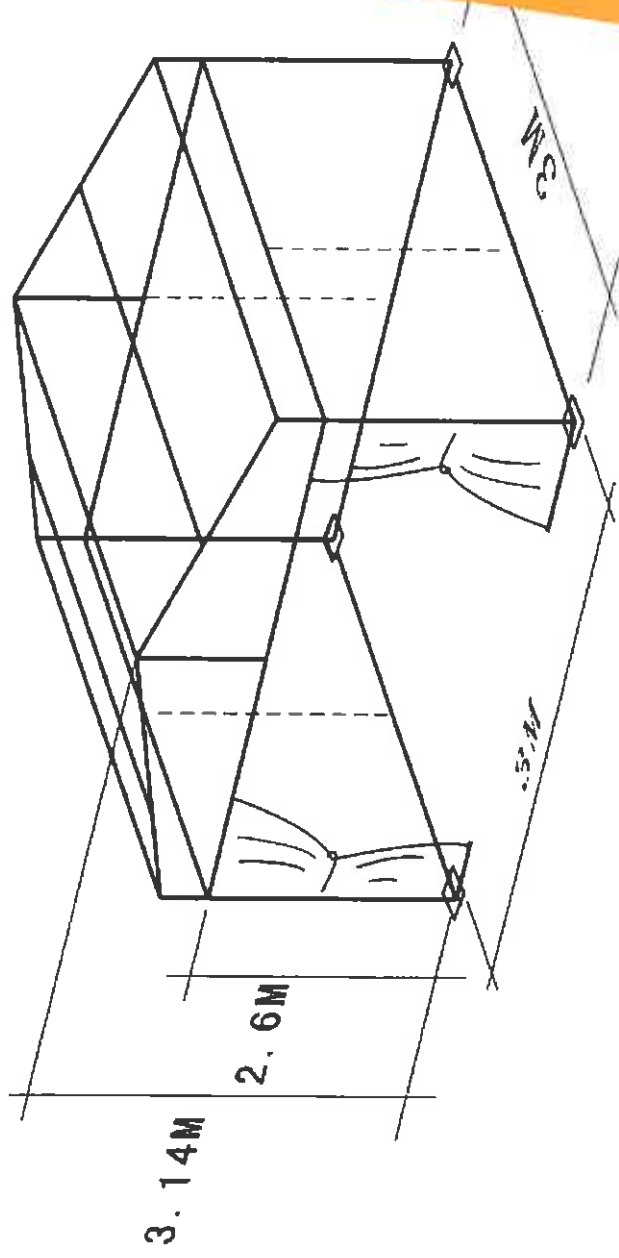


Tent accessories

*Putzen wasche side*



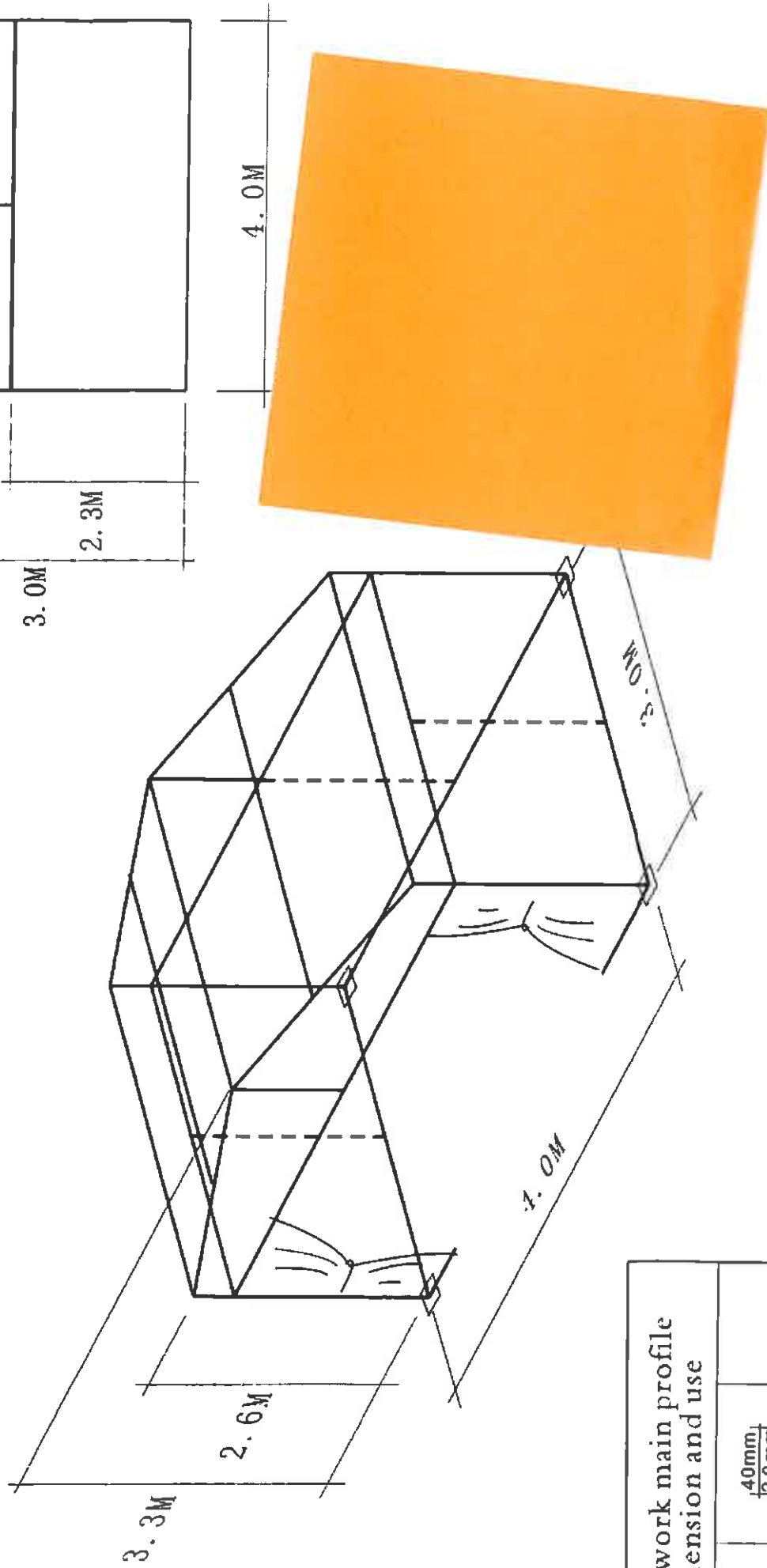
# 3x3m party tent (Alu-PVC Structure)



Framework main profile dimension and use		
 upright support	 Roof Beam	 Gable pole
	Eave purlin Intermediate purlin Ridge purlin	Sidewall upside rail

TITLE		DO NOT SCALE DRAWING	REVISION
Specification: PT300x6m Party tent (Alu-PVC Structure)		UNLESS OTHERWISE SPECIFIED, DIMENSIONS ARE IN MILLIMETERS FOR DIMENSIONS IN METERS. LINE AND ANGLE	
		DRAW AND BRICK MARK PAGES	(V.S.)
NAME	SIGNATURE	DATE	PROJECT
DESIGN	CHECKED	APPROVED	COMMENTS: 11011011
R.C.	U.A.	A.D.H.P.	Material: 6061/T6
Type PT300/260	No.	Scale: 1:1	Date:

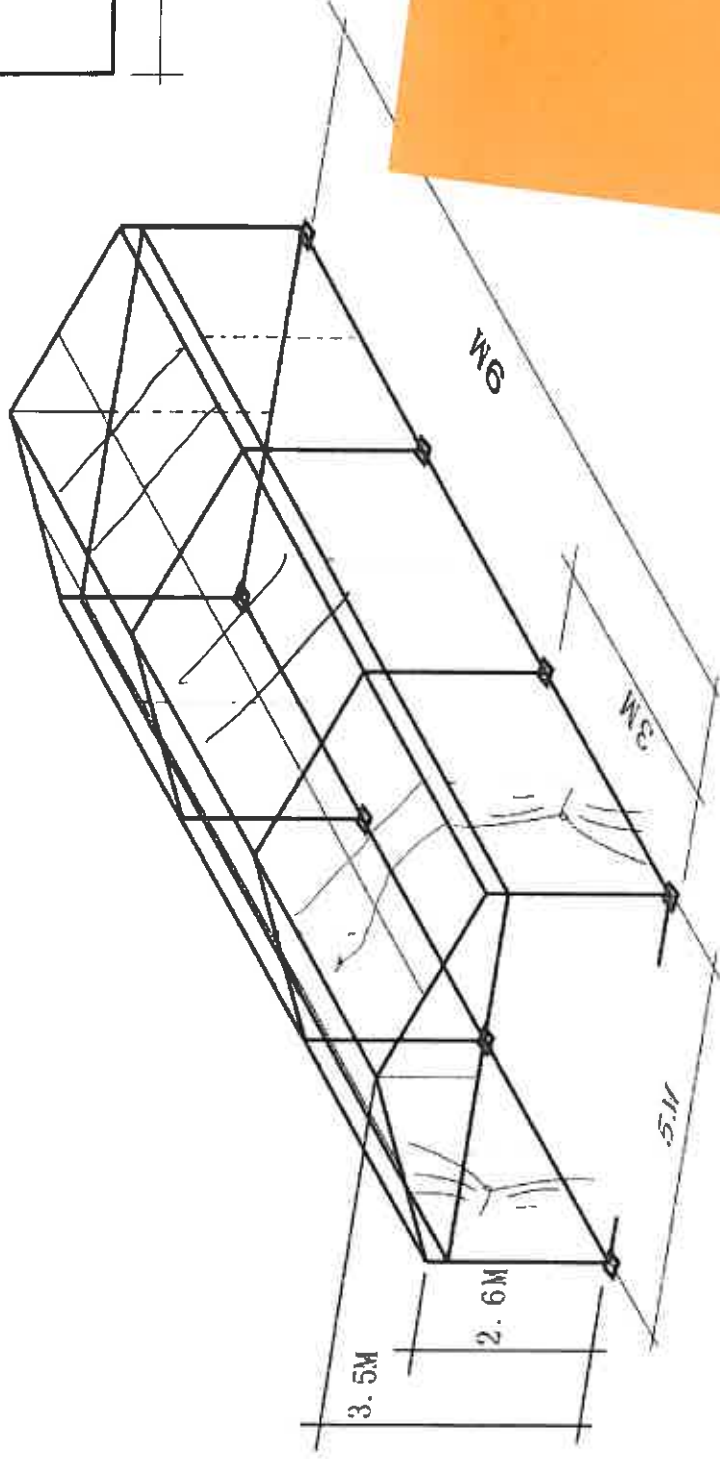
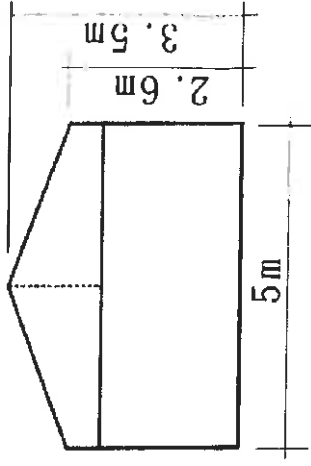
# 4x3m party tent (Alu-PVC Structure)



Framework main profile dimension and use	
 upright support	 Sidewall upside roll
 Eave purlin	 Intermediate purlin
 Roof Beam	 Ridge purlin
 Gable pole	

UNLESS OTHERWISE SPECIFIED, DIMENSIONS ARE IN MILLIMETERS		PROJECT	SCALE	REVISION
NAME:	SIGNATURE:	DATE:		
DRAWN:				
CHECK'D:				
APPRO'D:				
REF:				
P.A.:				
<b>Specification: PT4mx3m</b> <b>Party tent (Alu-PVC Structure)</b>		<b>Title:</b>		
<b>Type PT04/260</b>		<b>Material: 6063/T6</b>		

# 5x9m party tent (Alu-PVC Structure)

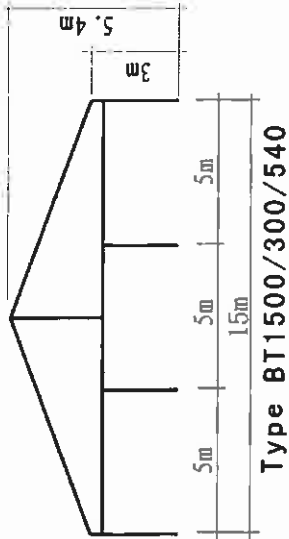


Framework main profile dimension and use	
upright support	Sidewall upside rail
Roof Beam	Eave purlin
Gable pole	Intermediate purlin
	Ridge purlin

$\phi 37 \times 2.0 \text{mm}$	

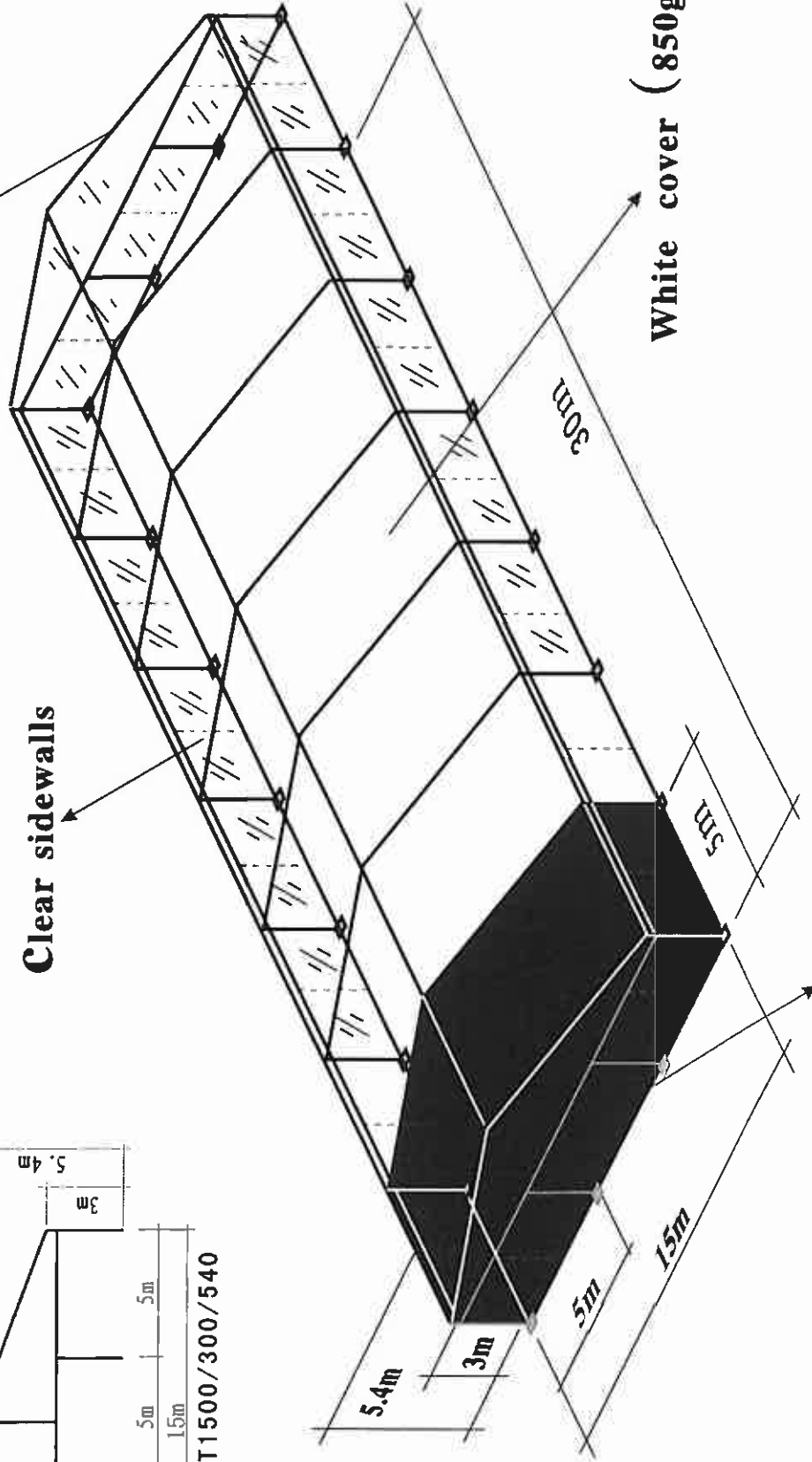
NAME	STATUS	DATE	DESIGNER	DEVELOPER	REVISION
DESIGNER					
CHECKED					
DATE					
SCALE					
TITLE:			PARTIAL DEVELOPER		
SPECIFICATION: PT5mx9m			REVISION		
Party tent (Alu-PVC Structure)			REVISION		
Type	PT05/260		REVISION		
COMPANY: LIM TEST			REVISION		
PROJECT			REVISION		
DRAWING			REVISION		

# 15M x 35m Big tent (Alu-PVC Structure)



Clear roof cover and sidewalls

Clear sidewalls



Black roof cover and sidewalls

Framework main profile dimension and use	
	upright support Roof Beam Gable pole
	Ridge purlin Eave purlin Gable beam
	Intermediate purlin
	Eave tension rail

UNLESS OTHERWISE SPECIFIED, DIMENSIONS ARE IN MILLIMETERS		FINISH:		DEBUR AND BREAK SHARP EDGES		DO NOT SCALE DRAWING		REVISION	
TOLERANCES:		LINEAR:		ANGULAR:		TITLE:		SPECIFICATION:	
NAME	SIGNATURE	DATE	COMPANY: LIRA TENT			Specification: BT15mx35m BIG tent (Alu-PVC Structure)			
DRAWN						Type BT1500/300/540		A4	
CHK'D									
APP'D									
MFG									
Q.A									
SCALE: 1:1			WEIGHT:			Material: 6061/T6			

## 中型篷房技术参数

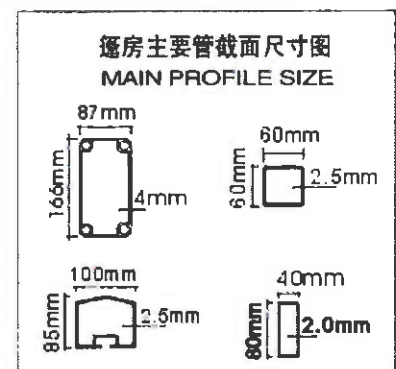
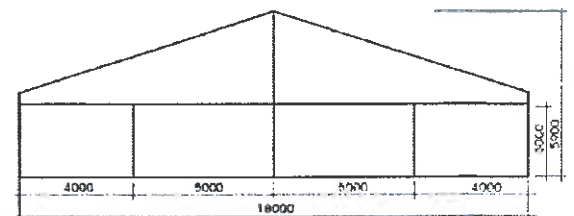
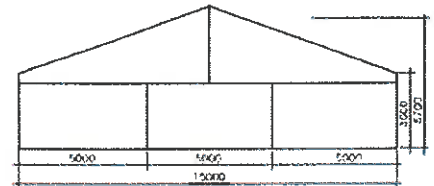


## MIDDLE TENT technical data



### 一、规格参数

项目 ITEM	数值 VALUE
篷房跨度 (宽度) Clear-span width	15M / 18M
篷檐高度 Side height	3 M
篷顶高度 Ridge height	5.5M / 5.9M
篷顶坡度 Roof pitch	18°
篷房长度间隔 Bay distance	5M
最长杆件 Longest component	5.8M / 5.8M
篷房最小长度 Minimum tent length	10M
篷房最大长度 Maximum tent length	不限 No limited
主要管截面 Main profile	166×88×3mm
篷房抗风力 Max.allowed windspeed	100 公里 / 小时(风力十级) 100 km / hour
风载荷 Windloading	0.3KN / m <sup>2</sup>
支架材料 Frame material	高强度铝合金 6061/ T6 high reinforced aluminium 6061/ T6
篷布材料 Cover material	双面 PVC 合成纤维布, 克重 650g/m <sup>2</sup> , 防火 阻燃, 符合德国 DIN 4102 B1, M2 标准。 PVC-coated polyester textile, flame retardant to DIN 4102 B1, M2.



## 中型篷房技术参数

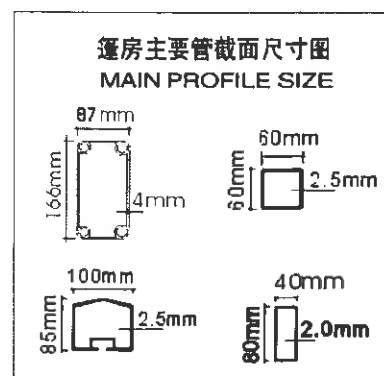
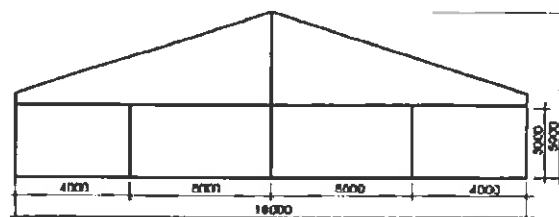
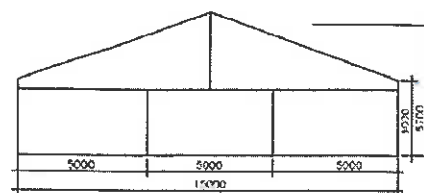


## MIDDLE TENT technical data



### 一、规格参数

项目 ITEM	数值 VALUE
篷房跨度(宽度) Clear-span width	15M / 18M
篷檐高度 Side height	3 M
篷顶高度 Ridge height	5.5M / 5.9M
篷顶坡度 Roof pitch	18°
篷房长度间隔 Bay distance	5M
最长杆件 Longest component	5.8M / 5.8M
篷房最小长度 Minimum tent length	10M
篷房最大长度 Maximum tent length	不限 No limited
主要管截面 Main profile	166×88×3mm
篷房抗风力 Max.allowed windspeed	100 公里 / 小时(风力十级) 100 km / hour
风载荷 Windloading	0.3KN / m <sup>2</sup>
支架材料 Frame material	高强度铝合金 6061/ T6 high reinforced aluminium 6061/ T6
篷布材料 Cover material	双面 PVC 合成纤维布, 克重 650g/m <sup>2</sup> , 防火阻燃, 符合德国 DIN 4102 B1, M2 标准。 PVC-coated polyester textile, flame retardant to DIN 4102 B1, M2.





Kind regards

Teresa Xu  
Rolf Wee Transport AS  
Mobile: 0047 98 21 81 29  
Fax: 0047 52 77 40 58  
Skype username: teresawee  
[www.wee.no](http://www.wee.no)

15x35m Party Tent View

