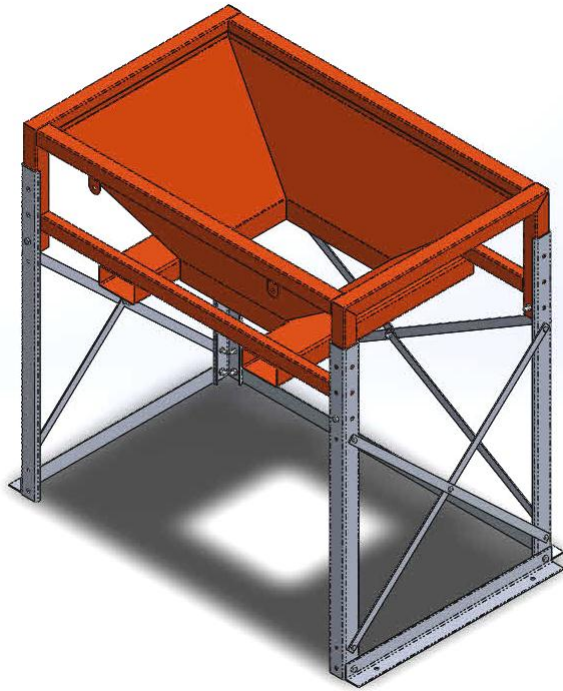


## Type BFU200 Bulk Bag Filling Frame



The type BFU200 Bulk Bag Filling Frame is designed to hook a 4 point Standard Bulk Bag and fill free flowing bulk products such as sand & gravel etc. The Bulk Bag is hooked on to 4 Safety Swivel Hooks (supplied), and the Filling Frame held over a four corner Support Frame.

The adjustable bag restraining chains position the Bulk Bag at the correct height to the loader to discharge the bulk material through the hopper.

The frame has 3 adjustable height settings allowing for optimum removal of filling bags to suit your operational requirements.

Upper hopper Assembly enamel paint finish, Support Frame Zinc Plated.

### SPECIFICATIONS:

- Pocket Size 185 x 85mm
- Pocket Centres 800mm
- Working Load Limit (WLL) 2000kg
- Unit Weight 260kg
- Load Centre 550mm

