

	SIGNATURE	DATE
DRAWN		
CHECKED		
ENG.APPR		
MFG.APPR		
Q.A		
	MATERIAL:	
	WEIGHT(KG):	



AL Trailer
50035-00-00

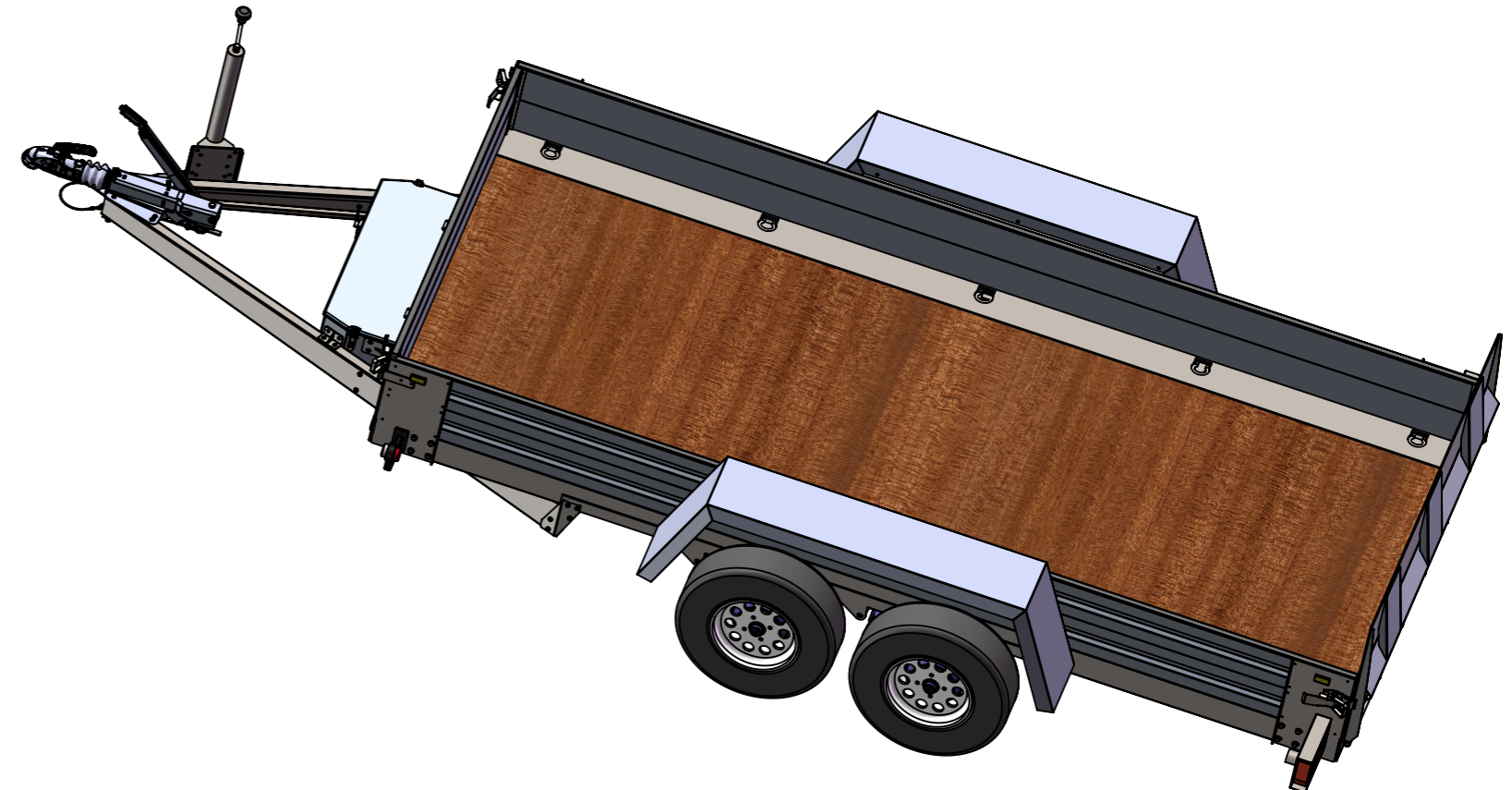
A3

DO NOT SCALE DRAWING

SCALE 1:20

SHEET OF

No.	Drawings No.	Name	Material	Unit weight (kg)	Quantity	Note
1	50035-01-00A	Chassis assembly		280.32	1	
2	FRONT AXLE-T2005-A	Front axle		77.500	1	
3	REAR AXLE-T2005-A	Rear axle		77.500	1	
4	50035-20-00	Bush II		0.049	4	
5	ISO 4014 - M16 x 90 x 38-C	Hexagon head bolt			4	
6	50035-19-00A	Spacer gasket		0.007	8	
7	Washer ISO 7089 - 16	Plain washer			16	
8	ISO 7040-M16-C	Lock nut			8	
9	50035-03-00	L/R Fence assembly		18.812	2	
10	50035-14-00	Front fence		7.861	1	
11	50035-13-00	Rear fence		21.084	1	
12	50035-15-00A	Lock			2	
13	50035-15-00C	Lock pin		0.174	2	
14	ISO 4017 - M8 x 20-C	Hexagon head bolt			12	
15	Washer ISO 7089 - 8	Plain washer			12	
16	ISO 7040-M8-C	Lock nut			12	
17	50035-24-00	Square washer		0.203	4	
18	Washer ISO 7089 - 10	Plain washer			16	
19	ISO 4017 - M10 x 30-C	Hexagon head bolt			16	
20	ISO 7040-M10-C	Locknut			16	
21	50035-10-00	Hydraulic cylinder			2	
22	ISO 4014 - M16 x 140 x 44-C	hexagon head bolt			4	
23	50035-23-00-00	Hydraulic unit and battery box		37.477	1	
24	50035-16580-R13	Wheel		12.500	4	
25	50035-25-00	Bracket I		0.563	2	
26	50035-26-00	Bracket II		0.186	2	
27	50035-02-00	Jockey wheel			1	
28	50035-21-00	Bush I		0.114	4	
29	50035-27-00L	Tail lamp bracket-L		1.310	1	
30	50035-27-00R	Tail lamp bracket-R		1.310	1	
31	50035-06-00L	Mudguard (L)		12.677	1	



No.	Drawings No.	Name	Material	Unit weight (kg)	Quantity	Note
32	50035-06-00R	Mudguard (R)		12.677	1	
33	50035-LAM-01	Tail lamp			2	
34	50035-LAM-02L	Side lamp L			1	
35	50035-LAM-02R	Side lamp R			1	
36	50035-LAM-03	Front reflector			2	
37	50035-LAM-04	Side reflector			4	
38	50035-LAM-06	Registration plate lamp			2	
39	50035-SP-01	Statutory plate		0.070	1	

SIGNATURE		DATE
DRAWN		
CHECKED		
ENG.APPR		
MFG.APPR		
Q.A		
DO NOT SCALE DRAWING		WEIGHT(KG):

SINORTEK

AL Trailer

50035-00-00

A3

DWG.NO

SCALE 1:20

SHEET OF